

TCM SSL 707/709

Machine Specifications



Engine				
Model			SSL 707	SSL 709
Displacement		lit	2.434	2.434
Rated Power/ RPM		kW/rpm	33.5 / 2400	33.5 / 2400
Rated Torque/ RPM		Nm/rpm	156.4 / 1600	156.4 / 1600
Hydraulic Flow		lpm@rpm	55 / 2400	55 / 2400

Performance				
Tipping Load		kg	1160	1380
Rated Operating Capacity		kg	580	690
Ground Clearance (centre)		mm	185	185
Service Weight (with std bucket)		kg	2480	2720
Dump Height (full dump position)		mm	2200	2200
Reach-Fully raised (full dump position)		mm	610	610
Dump Angle (max.)		deg	37	37
Raising Time (Full Load)		sec	4.9	4.9
Lowering Time (No Load)		sec	3.0	3.0
Dump Time		sec	2.8	2.8
Travel Speed	Forward	km/h	12.0	12.0
	Reverse	km/h	12.0	12.0
Min. Turning radius, front with std bucket		mm	2250	2300
Gradeability	Unloaded	%	17	17
	Loaded	%	30	30

Controls				
Type	HST			
Steering	Forward, Reverse, variable speed. Two hand lever.			
Drive	Hydrostatic transmission with infinitely variable speed.			
Auxiliary (4 in 1 operation)	Hydraulic controlled. Right hand control lever.			
Fuel Capacity (litres)			40	40

SSL 707/709

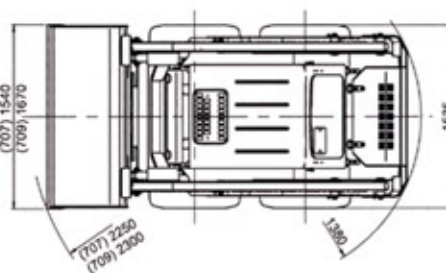
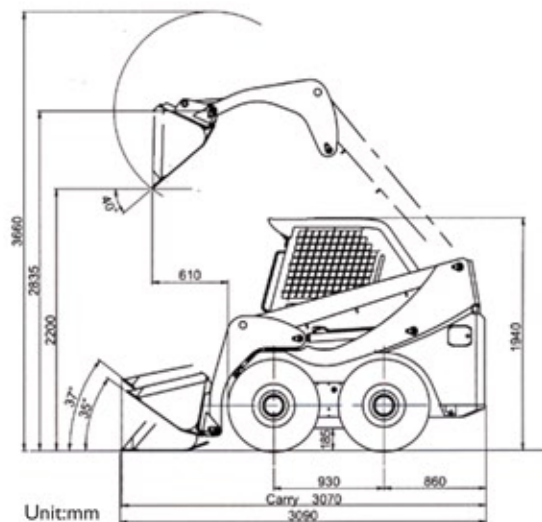
580 / 690kg Operating Cap
33.5kW (45HP) @ 2400rpm
55lpm @ 2400rpm

The TCM SSL Range is purpose built for the Australian market. As the market leader in Japan, the TCM SSL were designed and built to meet customer's needs and tough material handling requirements. Maintaining all the hallmarks of the TCM Industrial Forklift range, the SSL range enjoys excellent maneuverability and operator friendly features.

The 707 and 709 models are the larger models of the range and are backed by the heavy-duty V2403-M Kubota Diesel engine, with enough grunt to power through almost any challenge. The excellent dumping reach and clearance ensures higher job efficiency while the low noise design and roomy cabin that guarantees a happier operator.

Standard Features include:

- Pre-cleaner
- Dual Element Air Cleaner
- ROPS/FOPS (ISO) Guards
- Low emissions
- Big Load Capacity
- Hydraulic Bucket-Leveling
- TCM Quick Carrier
- Transparent Screen
- Front and Rear Working Lights
- Overhead Instrument Panel
- Loading Pedal Locking System



SSL
SKID STEER LOADER

Availability and Specifications are subject to change without notice. Please consult your local TCM Skid Steer Loader Dealer for terms & conditions.

TCM SSL Dealer Details:



1300 139 429

www.tcmsl.com.au